

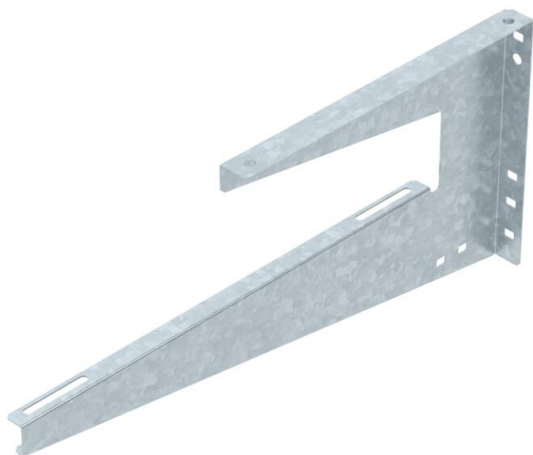
Technical data sheet

Wall and ceiling bracket FT

Item number: 6363730



Wall and ceiling bracket for universal structural fastening.



CE

St Steel

FT Hot-dip galvanised

Master data

| | |
|---------------------|--------------------------|
| Item number | 6363730 |
| Type | WDB L 400 FT |
| Description 1 | Wall and ceiling bracket |
| Description 2 | lightweight version |
| Manufacturer | OBO |
| Dimension | B400mm |
| Material | Steel |
| Surface | Hot-dip galvanised |
| Surface standard | DIN EN ISO 1461 |
| Smallest sales unit | 1 |
| Unit of quantity | Piece |
| Weight | 78 kg |
| Weight unit | kg/100 pc. |

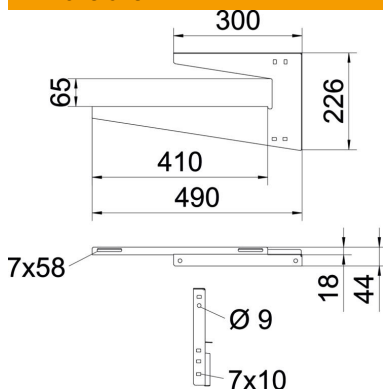
Technical data sheet

Wall and ceiling bracket FT

Item number: 6363730



Dimensions



| | |
|-------------------|--------|
| Length | 490 mm |
| Width | 410 mm |
| Height | 226 mm |
| Dimension A | 300 mm |
| Dimension B | 410 mm |
| Dimension H | 226 mm |
| Dimension H1 (mm) | 65 |
| Dimension L | 490 mm |

Technical data

| | |
|--|------------------------------|
| Version for | Suspension bracket (C clamp) |
| F in kN ceiling | 0.12 kN |
| F in kN wall | 0.12 kN |
| Maintain electrical functions for width min. | no 400 |
| Suitable for metric threaded rod | 8 |
| Suitable for mesh cable tray | yes |
| Suitable for cable ladder | yes |
| Suitable for cable tray | yes |
| Suitable for tray/ladder width | 400 mm |
| Hole diameter | 7 mm |
| Material thickness | 1.25 mm |
| Tray fastening | Screw-on |
| Adjustable | no |

Wall fastening

| Anchor type | Max. load [kN] | | | | | |
|-----------------|---------------------|------|------|------|------|------|
| | Bracket length [mm] | | | | | |
| | 50 | 100 | 150 | 200 | 300 | 400 |
| BZ-U 8-30-41/95 | 0.40 | 0.25 | 0.22 | 0.30 | 0.20 | 0.12 |

Systemtest in Anlehnung an DIN EN 61537 in Kombination mit Kabeltragsystem RKS-Magic®. Max. Belastung F_{ges} = Kabelgewicht + Kabelrinne + Wand-/Deckenbügel. Die Tragfähigkeitsangaben erhöhen sich um ein Vielfaches beim Einsatz im ungerissenen Beton. Die angegebenen Werte basieren auf Beton der Festigkeitsklasse C20/C25.