

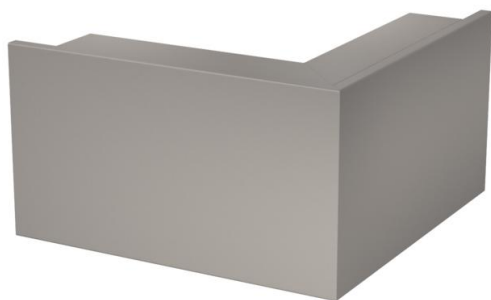
Technical data sheet

External corner, for trunking, type WDK 80210

Item number: 6161104



External corner hood for changing the direction of the WDK trunking.



PVC Polyvinylchloride

Master data

Item number	6161104
Type	WDK A80210GR
Description 1	External corner
Manufacturer	OBO
Dimension	329x210x80
Colour	Stone grey; RAL 7030
Material	Polyvinylchloride
Smallest sales unit	1
Unit of quantity	Piece
Weight	160 kg
Weight unit	kg/100 pc.

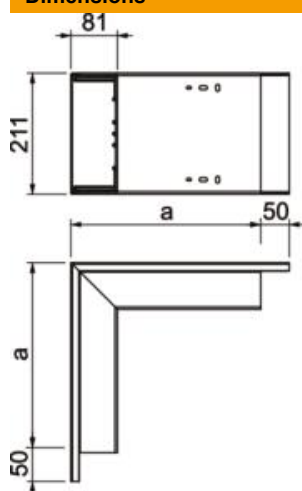
Technical data sheet

External corner, for trunking, type WDK 80210

Item number: 6161104



Dimensions



Length	329 mm
Width	210 mm
Height	80 mm
Dimension a	329 mm

Technical data

Version for	Base and cover
Fastening type	Base perforation
Maintain electrical functions	no
for duct dimension	80 x 210
Halogen-free	no
Trunking depth	80 mm
Protection rating	IP30
Protective film	no
Protection rating IK code	IK04
Self-extinguishing	yes
Permitted temperature range, max.	60 °C
Permitted temperature range, min.	-5 °C
Angle range, max.	90 mm
Angle range, min.	90 mm