

Technical data sheet

End piece, for trunking type WDK 13025

Item number: 6193093



End piece to close the WDK trunking.
The end pieces are pushed onto the trunking and kept in place by the spring action.



PC/ABS Polycarbonate/Acrylnitrile-butadiene-styrene

Master data

Item number	6193093
Type	WDK HE13025RW
Description 1	End piece
Manufacturer	OBO
Dimension	13x25x40
Colour	Pure white; RAL 9010
Material	Polycarbonate/Acrylnitrile-butadiene-styrene
Smallest sales unit	10
Unit of quantity	Piece
Weight	0.385 kg
Weight unit	kg/100 pc.

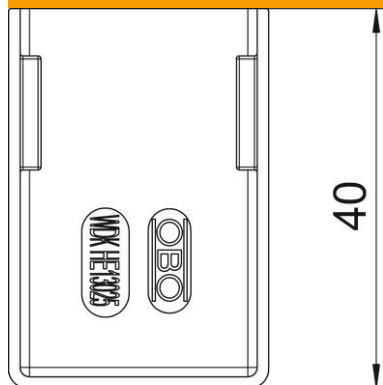
Technical data sheet

End piece, for trunking type WDK 13025

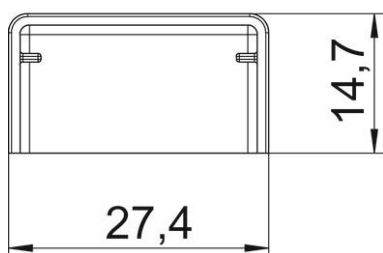
Item number: 6193093



Dimensions



Length	40 mm
Width	25 mm
Height	13.5 mm



Technical data

Version for	Left/right
Fastening type	Lockable
Halogen-free	no
Protection rating	IP30
Protective film	no
Protection rating IK code	IK04
Permitted temperature range, max.	60 °C
Permitted temperature range, min.	-5 °C