

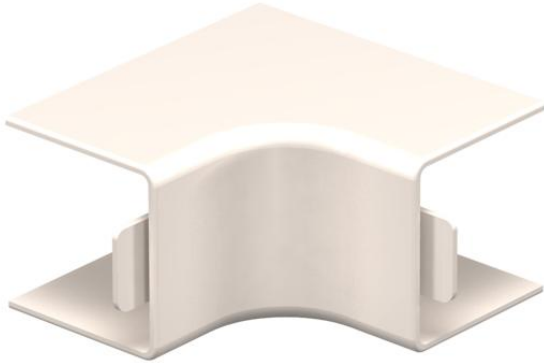
Technical data sheet

Internal corner cover, trunking type WDK 25025

Item number: 6160042



Internal corner cover for changing the direction of the WDK trunking.

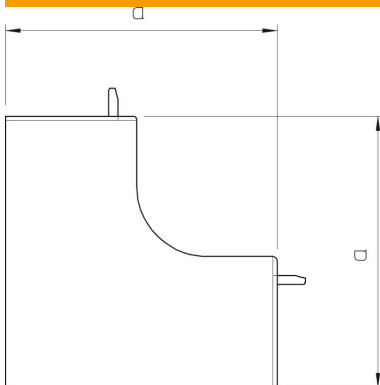


PVC Polyvinylchloride

Master data

Item number	6160042
Type	WDK HI25025CW
Description 1	Internal corner cover
Manufacturer	OBO
Dimension	25x25mm
Colour	Cream; RAL 9001
Material	Polyvinylchloride
Smallest sales unit	4
Unit of quantity	Piece
Weight	1.669 kg
Weight unit	kg/100 pc.

Dimensions



Length	50 mm
Width	25 mm
Height	25 mm
Dimension a	50 mm

Technical data sheet

Internal corner cover, trunking type WDK 25025

Item number: 6160042



Technical data

Version for	Hood fitting
Fastening type	Lockable
Maintain electrical functions	no
Halogen-free	no
Protection rating	IP30
Protective film	no
Protection rating IK code	IK04
Permitted temperature range, max.	60 °C
Permitted temperature range, min.	-5 °C
Angle range, max.	90 mm
Angle range, min.	90 mm