

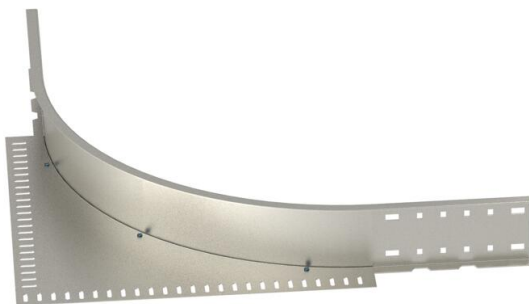
Technical data sheet

Corner extension piece 110 A2

Item number: 6098483



Corner extension piece for wide span cable trays and ladders with a side height of 110 mm.



A2 Stainless steel

2B Bright, treated

Master data

Item number	6098483
Type	WEAS 110 A2
Description 1	Corner extension piece
Manufacturer	OBO
Dimension	110
Material	Stainless steel
Surface	Bright, treated
Surface standard	
Smallest sales unit	1
Unit of quantity	Piece
Weight	485.5 kg
Weight unit	kg/100 pc.

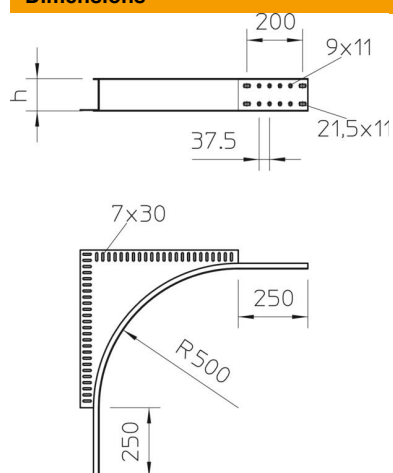
Technical data sheet

Corner extension piece 110 A2

Item number: 6098483



Dimensions



Height	110 mm
Dimension h	110 mm

Technical data

Connector version	Without connectors
Maintain electrical functions	no
Rustproof steel, pickled	no
Type of connector, cable support system	Screwed