

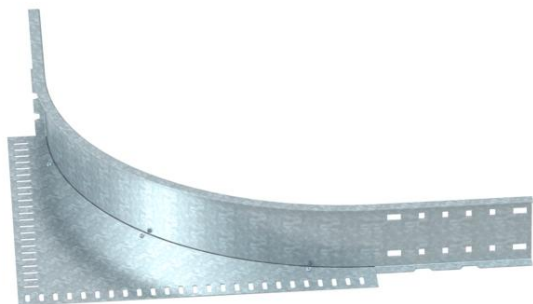
Technical data sheet

Corner extension piece 110 FS

Item number: 6098475



Corner extension piece for wide span cable trays and ladders with a side height of 110 mm.



St Steel

FS Strip galvanized

Master data

Item number	6098475
Type	WEAS 110 FS
Description 1	Corner extension piece
Manufacturer	OBO
Dimension	110
Material	Steel
Surface	Strip galvanized
Surface standard	DIN EN 10346
Smallest sales unit	1
Unit of quantity	Piece
Weight	485.5 kg
Weight unit	kg/100 pc.

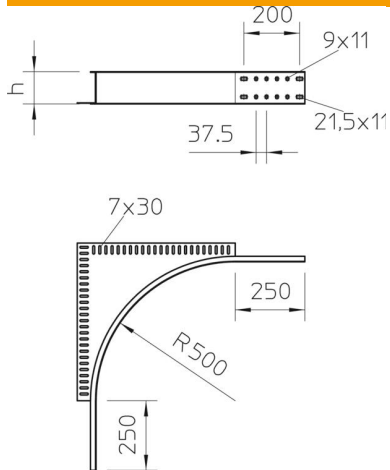
Technical data sheet

Corner extension piece 110 FS

Item number: 6098475



Dimensions



Height	110 mm
Dimension h	110 mm

Technical data

Maintain electrical functions	no
Rustproof steel, pickled	no
Type of connector, cable support system	Screwed