

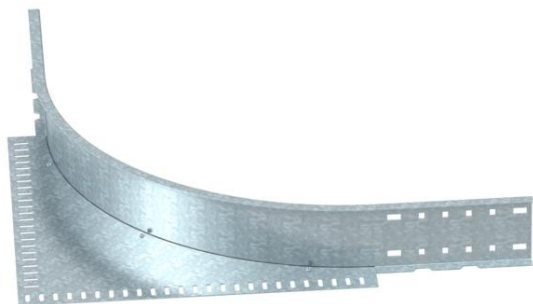
# Technical data sheet

## Corner extension piece 110 FT

Item number: 6098479



Corner extension piece for wide span cable trays and ladders with a side height of 110 mm.



**St** Steel

**FT** Hot-dip galvanised

### Master data

Item number	6098479
Type	WEAS 110 FT
Description 1	Corner extension piece
Manufacturer	OBO
Dimension	110
Material	Steel
Surface	Hot-dip galvanised
Surface standard	DIN EN ISO 1461
Smallest sales unit	1
Unit of quantity	Piece
Weight	586.2 kg
Weight unit	kg/100 pc.

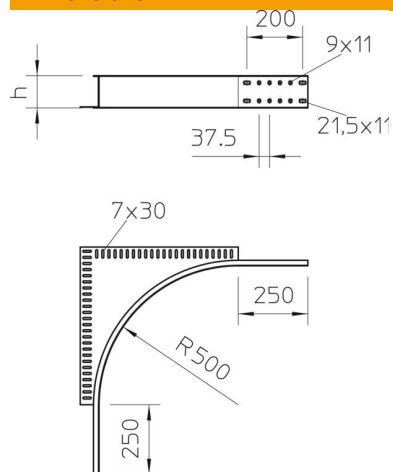
# Technical data sheet

## Corner extension piece 110 FT

Item number: 6098479



### Dimensions



Height	110 mm
Dimension h	110 mm

### Technical data

Maintain electrical functions	no
Rustproof steel, pickled	no
Type of connector, cable support system	Screwed