

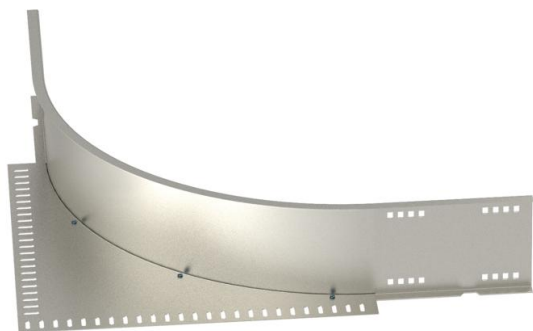
Technical data sheet

Corner extension piece 160 A2

Item number: 6098868



Corner extension piece for wide span cable trays and ladders with a side height of 160 mm.



A2 Stainless steel

2B Bright, treated

Master data

Item number	6098868
Type	WEAS 160 A2
Description 1	Corner extension piece
Manufacturer	OBO
Dimension	160
Material	Stainless steel
Surface	Bright, treated
Surface standard	
Smallest sales unit	1
Unit of quantity	Piece
Weight	702 kg
Weight unit	kg/100 pc.

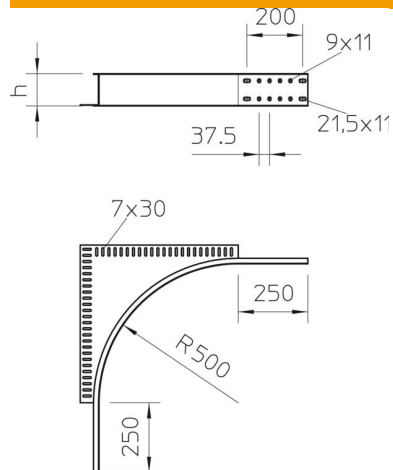
Technical data sheet

Corner extension piece 160 A2

Item number: 6098868



Dimensions



Height	160 mm
Dimension h	160 mm

Technical data

Connector version	Without connectors
Maintain electrical functions	no
Rustproof steel, pickled	no
Type of connector, cable support system	Screwed