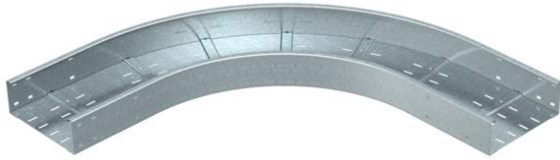


Technical data sheet

90° bend 110 FS

Item number: 6098312



90° bend, horizontal, for all wide span cable trays of 110 mm side height.
For further stabilisation, additional supports should be planned for the area of the fittings.



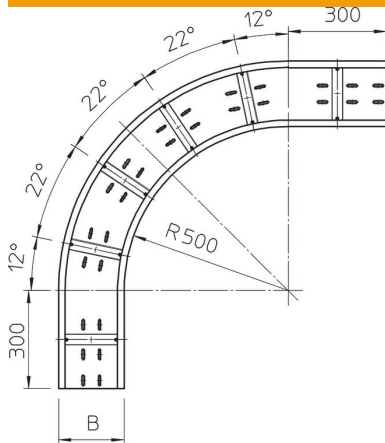
St Steel

FS Strip galvanized

Master data

| | |
|---------------------|------------------------------|
| Item number | 6098312 |
| Type | WRB 90 140 FS |
| Description 1 | 90° bend |
| Description 2 | for wide span cable tray 110 |
| Manufacturer | OBO |
| Dimension | 110x400 |
| Material | Steel |
| Surface | Strip galvanized |
| Surface standard | DIN EN 10346 |
| Smallest sales unit | 1 |
| Unit of quantity | Piece |
| Weight | 1652.4 kg |
| Weight unit | kg/100 pc. |

Dimensions



| | |
|-----------------|--------|
| Width | 400 mm |
| Height | 110 mm |
| Plate thickness | 2 mm |
| Dimension B | 400 mm |

Technical data sheet

90° bend 110 FS

Item number: 6098312



Technical data

| | |
|---|--------------------|
| Bend (angle) | 90° |
| Connector version | Without connectors |
| Mounting perforation in base | yes |
| Change of direction | Horizontal |
| Rustproof steel, pickled | no |
| Side perforation | no |
| Wide-span version | yes |
| Type of connector, cable support system | Screwed |