

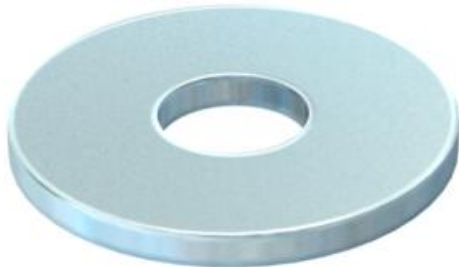
Technical data sheet

Large washer G

Item number: 3403092



Washer of particularly large outer diameter.



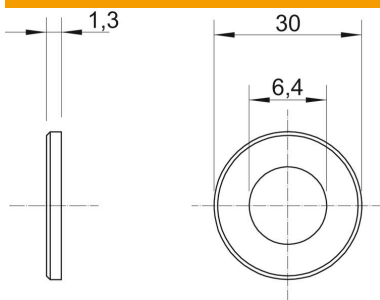
St Steel

G Electrogalvanized

Master data

| | |
|---------------------|----------------------------|
| Item number | 3403092 |
| Type | WS M6 G30 G |
| Description 1 | Fender plate |
| Manufacturer | OBO |
| Dimension | M6,Ø30mm |
| Material | Steel |
| Surface | Electrogalvanized |
| Surface standard | EN ISO 19598 / EN ISO 4042 |
| Smallest sales unit | 100 |
| Unit of quantity | Piece |
| Weight | 0.636 kg |
| Weight unit | kg/100 pc. |

Dimensions



| | |
|------------------|---------|
| Plate thickness | 0.05 in |
| Dimension D | 1.18 in |
| Dimension d | 0.25 in |
| Dimension d | 6.4 mm |
| Dimension d max. | 30 mm |
| Dimension d min. | 30 mm |
| Dimension h | 1.3 mm |

Technical data

| | |
|--------------------|--------|
| Thread | M6 |
| Material thickness | 1.3 mm |