

Technical data sheet

Sealing plug

Item number: 2003738



Sealing plug to close empty pipes.



TPE Thermoplastic elastomer

Master data

Item number	2003738
Type	ZA 25-VS
Description 1	Sealing plug
Description 2	for M25, airtight
Available from	01.10.2021
Manufacturer	OBO
Dimension	Ø25
Colour	Grey
Material	Thermoplastic elastomer
Smallest sales unit	25
Unit of quantity	Piece
Weight	0.25 kg
Weight unit	kg/100 pc.

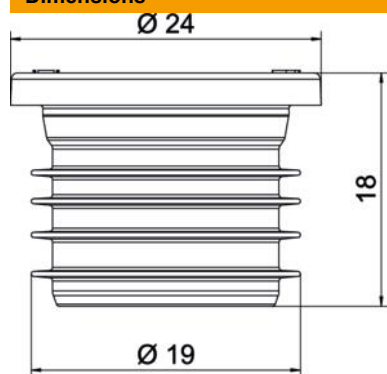
Technical data sheet

Sealing plug

Item number: 2003738



Dimensions



Dimension D1	24 mm
Dimension D2	19 mm
Dimension L	18 mm

Technical data

Flame-resistant	Acc. to VDE 0471/IEC 60695-2-11, test temperature 850°C
Suitable for metric thread dimension	25
Airtight	yes