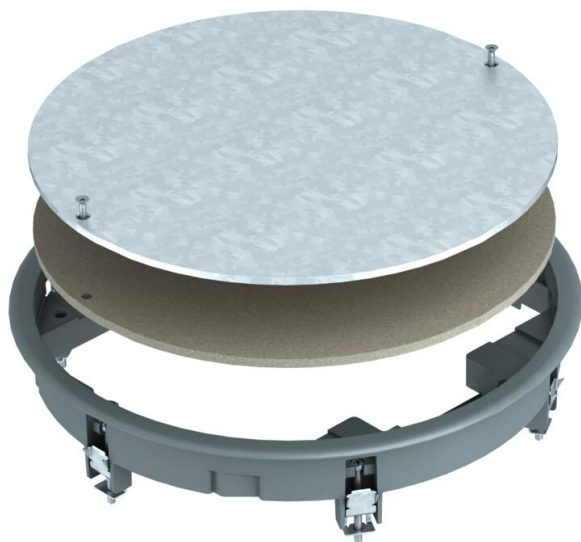


Technical data sheet

ZESR7 inspection cover

Item number: 7406788



Junction box insert for blank closing of a round mounting opening of nominal size R7 in trunking systems and in raised and cavity floors for indoor use. With universal fixing bracket.

Polyamide carpet protection frame.



PA Polyamide

Master data

Item number	7406788
Type	ZESR7 10U 7011
Description 1	Junction box insert
Description 2	for universal mounting
Manufacturer	OBO
Dimension	Ø294x33
Colour	Iron grey; RAL 7011
Material	Polyamide
Smallest sales unit	1
Unit of quantity	Piece
Weight	225.8 kg
Weight unit	kg/100 pc.

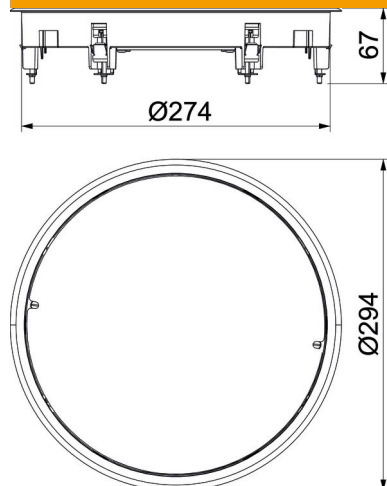
Technical data sheet

ZESR7 inspection cover

Item number: 7406788



Dimensions



Length	294 mm
Width	294 mm
Height	54 mm

Technical data

Number of installable devices	0
Version for	Round
Floor care	Dry
Floor height, min.	64 mm
Suitable for raised floor installation	yes
Suitable for screed-covered underfloor ducts	yes
Suitable for cavity floor installation	yes
Suitable for wet care	no
Suitable for underfloor box	350
Suitable for underfloor ducts	yes
Nominal size for device installation units	R7
Frame version	Carpet protection frame
Vertical load, large area	to 5,000 N
Vertical load, small area	to 3,000 N
Floor covering thickness	10 mm