

# Technical data sheet

## Insulated air-termination rod for inner-routed isCon conductor with side exit

Item number: 5408938



- For installation of the OBO isCon® Pro+ conductor in the pipe
- With side conductor outlet matching isFang air-termination rod stand with side outlet, type isFang 3B-A
- Suitable for wind loads according to Eurocode 1: DIN EN 1991-1-4
- Inclusive connection element (type isCon IN connect)
- Inclusive potential connection (type isCon In PAE)
- Aluminium standpipe and air-termination tip
- Centre section made of fibre-glass reinforced plastic (GRP)



**GFK** Fibre-glass-reinforced plastic

### Master data

Item number	5408938
Type	isFang IN-A 4000
Description 1	Insul. interception rod+outlet
Description 2	for isCon conductor, internal
Manufacturer	OBO
Dimension	4000mm
Material	Fibre-glass-reinforced plastic
Smallest sales unit	1
Unit of quantity	Piece
Weight	535 kg
Weight unit	kg/100 pc.

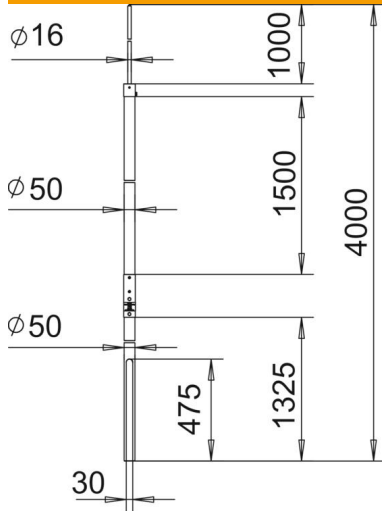
# Technical data sheet

Insulated air-termination rod for inner-routed isCon conductor with side exit

Item number: 5408938



## Dimensions



Length	4,000 mm
Dimension A	1,325 mm
Dimension B	1,000 mm
Dimension d min.	50 mm
Dimension H	1,500 mm
Dimension L	4,000 mm

## Technical data

Connection	Round conductor
Version for	Air-termination rod
High voltage-resistant, insulated version	yes