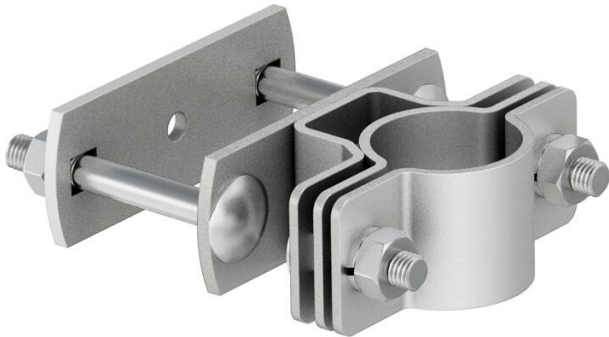


Technical data sheet

isFang support for corner pipe mounting, 50 x 50 mm

Item number: 5408964



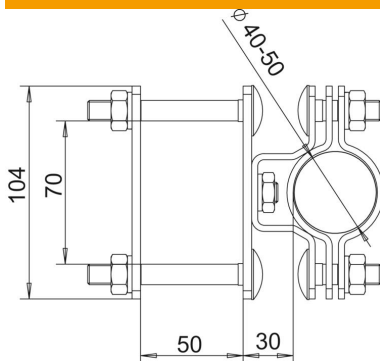
Fastening clip to fasten the insulated support pipes on the structure to be protected or for construction-side corner pipes of 50x50 mm.

A2 Stainless steel

Master data

Item number	5408964
Type	isFang TS50x50
Description 1	isFang support
Description 2	for corner pipe mounting
Manufacturer	OBO
Dimension	50x50mm
Material	Stainless steel
Smallest sales unit	2
Unit of quantity	Piece
Weight	82 kg
Weight unit	kg/100 pc.

Dimensions



Dimension d min.	50 mm
Dimension L	30 mm

Technical data

Fit	50x50 mm
-----	----------