

Technical data sheet

Plug-in arrester V10 280 V

Item no. 5093402

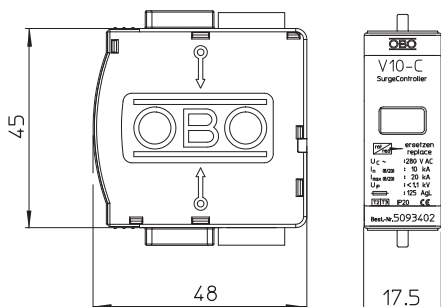


Surge arrester, type 2+3 to EN 61643-11

- Plug-in upper part; upper part can be separated from base without tools
- Incl. thermal and dynamic cut-off unit and visual display of defects
- High current conductivity and long service life



Dimensions



Master data

Item no.	5093402
Type	V10-C 0-280
Description 1	SurgeController V10
Description 2	plug-in arrester
Dimension	280V
Smallest sales unit (VG)	1 Piece
Weight	3,36 kg/100 pc.

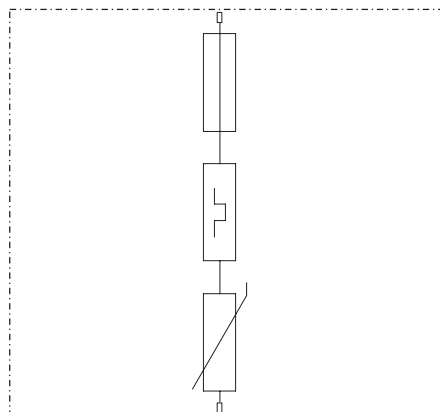
Technical data sheet

Plug-in arrester V10 280 V

Item no. 5093402



Technical data



SPD to EN 61643-11	Type 2+3
SPD to IEC 61643-11	Class II+III
Test class, type 2	<input checked="" type="checkbox"/>
Nominal voltage	230,00 V
Maximum continuous voltage AC	280,00 V
Max. continuous operating voltage	280,00 V
Nominal discharge current (8/20)	10 kA
Maximum discharge current (8/20 µs)	20,00 kA
Arrester surge current (8/20) [total]	10,00 kA
Protection level	< 1,1 kV
Response time	< 25 ns
Maximum back-up fuse	125,00 A
Temperature range	-40+80 °C
Pole version	1
Version	1-pole
Version	1-pole
Mounting type	On basic element
Installation type	On basic element
Protection rating	IP20
Protection rating	IP 20
Blow-out	<input type="checkbox"/>
Division unit TE (17.5 mm)	1
Remote signalling	<input type="checkbox"/>
Telecommunications contact	<input type="checkbox"/>
Connection cross-section, flexible	2,50 - 25,00 mm ²
Connection cross-section, rigid	2,50 - 35,00 mm ²
Connection cross-section, multi-wire	2,50 - 35,00 mm ²
Signalling on device	Visual